

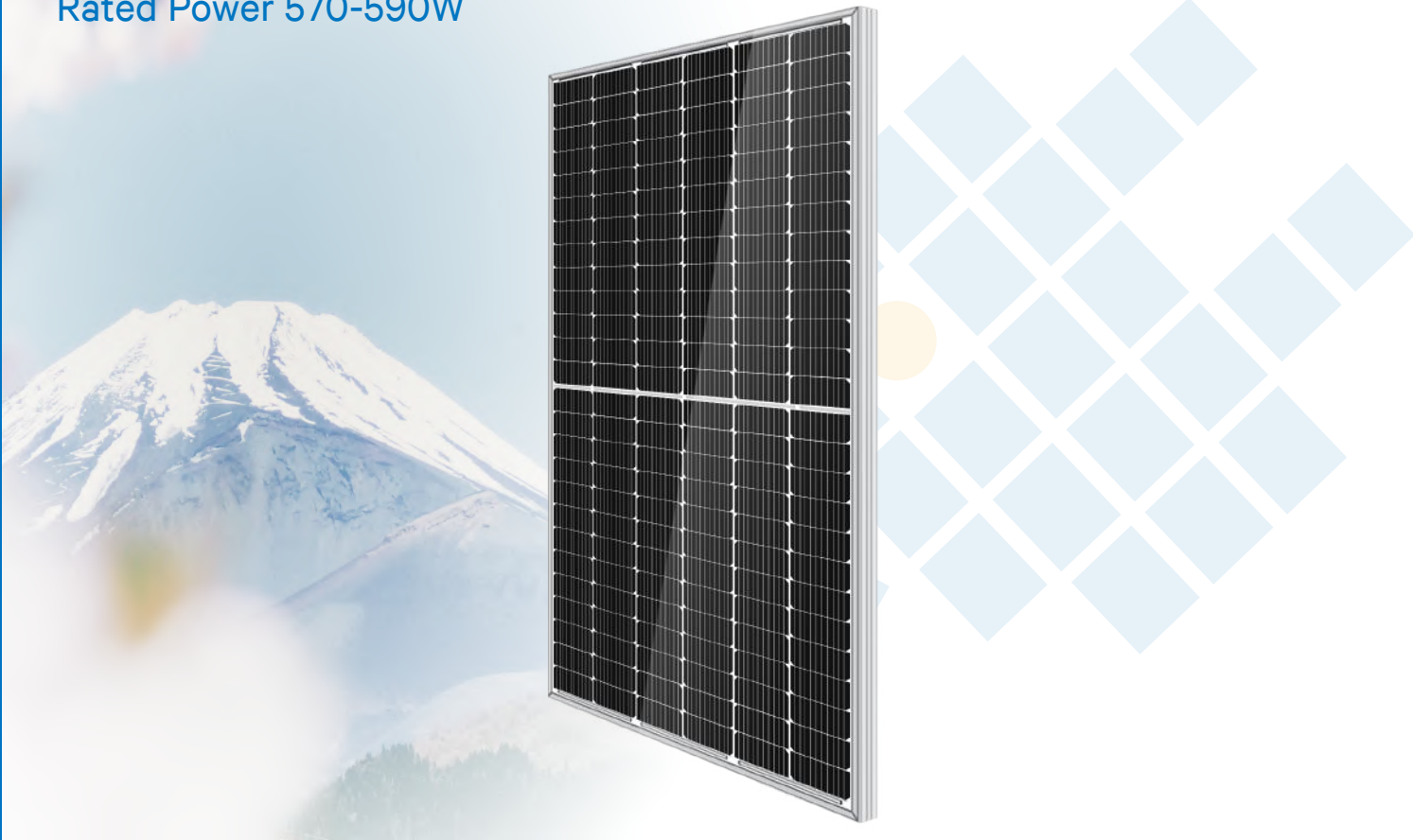


Monocrystalline

Polycrystalline

# LP182\*182-M-78-MH

Rated Power 570-590W



**10BB Cell**  
New circuit design, lower internal current, lower internal resistance loss.



**Low Light Features**  
Higher performance under low light environment.



**Higher Output Power**  
Module adopts 156 pcs of 182\*182mm half cells, the maximum power can reach 590W.



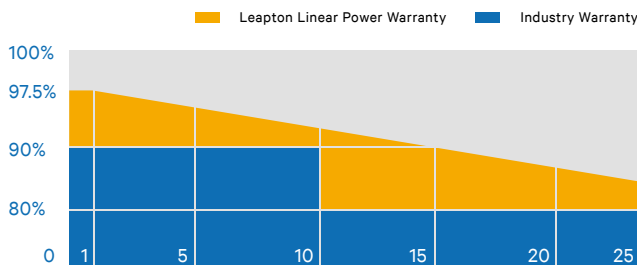
**PID Protection**  
Ensure the attenuation probability caused by PID phenomenon is minimized.



**Harsh Environmental Adaptability**  
Strict salt spray and ammonia corrosion test by TUV Nord.



**Load Capacity**  
Mechanical load tests including wind load 2400 Pa and snow load 5400 Pa done by TUV Nord.



• J-PEC Product

IEC 61215-2: 2016  
IEC 61730-2: 2016

Headquarter : Leapton Energy Co., Ltd.

Tosei Bldg. 6F, 1-2-1 Aioi-cho, Chuo-ku Kobe-shi, Hyogo, 650-0025, Japan

Manufacturer : Leapton Solar (Changshu) Co., Ltd.

No.55, Sunshine Avenue, Changshu City, Jiangsu, China

+81-78-382-3182

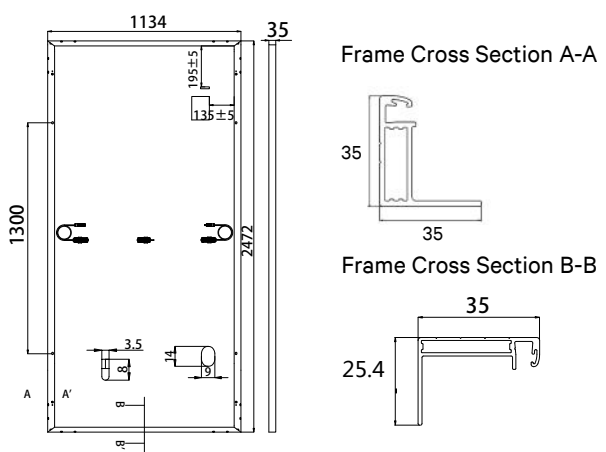
www.leaptonenergy.jp

+86-512-88800068

info@leaptonenergy.com

www.leaptonpv.com

### MECHANICAL DIAGRAMS



### SPECIFICATIONS

Weight	31.5kg
Dimensions	2472mm*1134mm*35mm
Cell Dimensions	182*182mm
Cell Amount	78*2 pcs
Maximum System Voltage	1000/1500V
Junction Box	IP68
Frame	Aluminum Alloy
Cable	4mm <sup>2</sup> , Landscape: N 1500mm/P 1500mm Portrait: N 200mm/P 300mm
Connector	MC4 compatible
Application Level	Class A

### ELECTRICAL PARAMETERS AT STC

Power	570W	575W	580W	585W	590W
Open Circuit Voltage	44.00V	44.20V	44.40V	44.60V	44.80V
Short Circuit Current	12.96A	13.01A	13.07A	13.12A	13.17A
Maximum Power Voltage	52.90V	53.10V	53.30V	53.50V	53.70V
Maximum Power Current	13.69A	13.75A	13.81A	13.87A	13.94A
Module Efficiency	20.3%	20.5%	20.7%	20.9%	21.0%

\* Under Standard Test Conditions (STC) of irradiance of 1000 W/m<sup>2</sup>, spectrum AM 1.5 and cell temperature of 25°C.

### ELECTRICAL PARAMETERS AT NMOT

Power	420W	424W	428W	431W	435W
Open Circuit Voltage	41.10V	41.30V	41.40V	41.60V	41.80V
Short Circuit Current	10.22A	10.27A	10.32A	10.36A	10.41A
Maximum Power Voltage	49.40V	49.60V	49.80V	50.00V	50.20V
Maximum Power Current	11.04A	11.08A	11.13A	11.18A	11.23A
Module Efficiency	15.0%	15.1%	15.3%	15.4%	15.5%

\* Under Nominal Module Operating Temperature (NMOT), irradiance of 800 W/m<sup>2</sup>, spectrum AM 1.5, ambient temperature 20°C, wind speed 1 m/s.

### TEMPERATURE CHARACTERISTICS

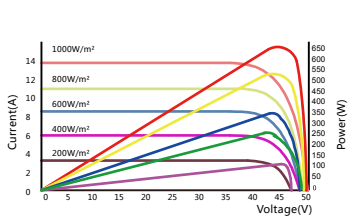
NMOT	41±3°C	Temp Coefficient of ISC	+0.05%/°C
Temp Coefficient of VOC	-0.28%/°C	Temp Coefficient of Pmax	-0.36%/°C

### PACKING CONFIGURATION

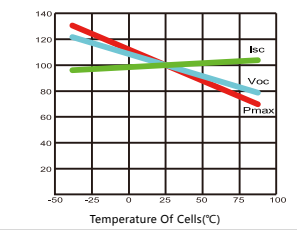
Modules/Pallet	31 Pieces	Modules/40'Container	496 Pieces
Packing Description	22 Pallets, Total=(31+31)x8=496 Pieces		

### CHARACTERISTICS

LP182\*182-M-78-MH-570W



LP182\*182-M-78-MH-570W



### MAXIMUM RATING

Output Tolerance	0~+5W
Operating Temperature	-40°C~+85°C
Wind Load/Snow Load	2400pa/5400pa
Fuse Current	25A

